

The State-of-Art New Model with perfected Ease-of-Use

DP GAUGE



Simple-to-use
DP-330



Multi-function and Multi-purpose
DP-330BA

Available in wide variety of ranges

Gauge Pressure (Press / Vacuum)	Differential Press	Absolute Press	
0~50kPa	0~10MPa	0~1kPa	0~100kPa abs
0~100kPa	0~20MPa	0~2kPa	0~200kPa abs
0~200kPa	0~50MPa	0~5kPa	—
0~500kPa	0~101kPa	0~10kPa	—
0~1MPa	—	0~20kPa	—
0~2MPa	—	0~50kPa	—
0~5MPa	—	0~100kPa	—

Traceable to the standard

Cosmo maintains strict traceability system

All calibration instruments used at Cosmo Instruments are traceable to Japan's national calibration standard, complying with the Japanese Laws of Metrology. We strictly maintain and control the true values to the calibration of our products.

DP-330BA will meet your demands perfectly!

Offers Lots of Outstanding Features.

4 levels of Limit Settings

4-point limit settings (HH, HI, LO and LL) allow for sorting measurement into 5 segments. Used for grading the products, pressure characteristic testing, etc.

User Span

Users can define their own 'Multiplier' (0.001 to 9.999) for the displayed readings. Quite useful feature for arbitrary unit conversions.

Auto-zero

Current displayed reading can be zeroed out by simply pressing AUTOZERO key, or by transmitting the AUTOZERO signal. For simple leak test applications, pressure characteristic testing,

Channels

DP-330BA has 10 channels in which many parameters can be programmed independently.

Digital Filter

Fluctuating pressure can be filtered to much stable readings with programmable independently.

Selectable Sampling Time

Sampling rate can be selected from 50 ms and 250 ms.

LED Brightness Adjustment

7-level brightness adjustment is provided for your reading comfort.

Sensor Zero Adjustment

Sensor's zero point (offset) can be compensated by simply pressing ZERO ADJ key, or by transmitting the AUTOZERO signal.

Display Hold

The readings can be held by pressing HOLD key or transmitting the HOLD signal.

Display Digits

Standard is 3.5 digits (1999), changeable to 4.5 digits (19999)

Data Output

RS-232C and BCD outputs are available as standard features.

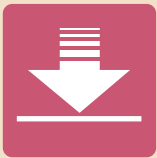


DP-330BA

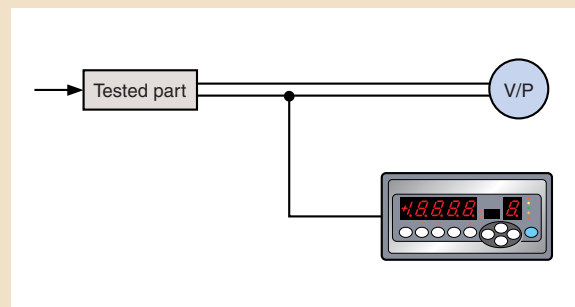
Satisfies Wide Variety of Measuring Applications.

Application Examples

Pressure Measurement of



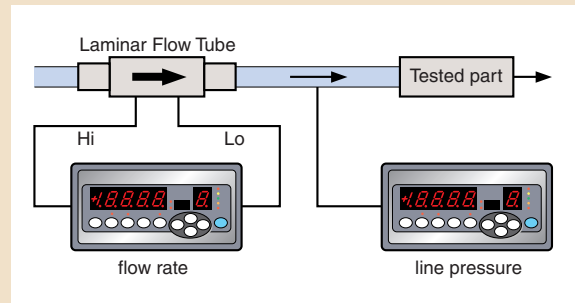
- Pressure loss characteristics of filters
- Room pressure
- Furnace pressure
- Pressure characteristic of valves, check valves, etc.



Flow Measurement



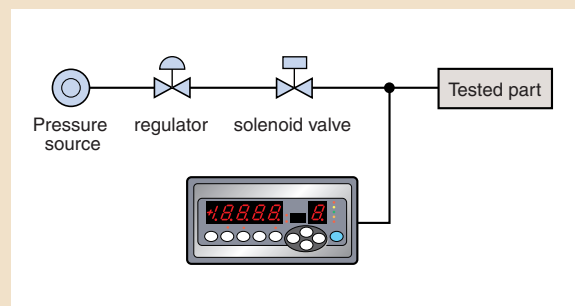
- Using orifices or laminar flow tubes
- Using pitot tubes



Leak Testing



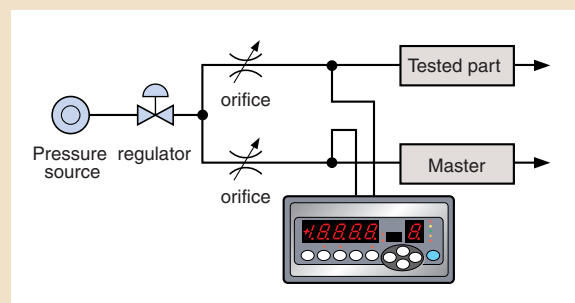
- Differential pressure decay method
- Straight pressure decay method
- Back pressure method, etc.



Dimensional Measurement



- Inner-diameter testing
- Air-micrometering using back pressure method
- Fluid level measurement using air-purge method



Specifications

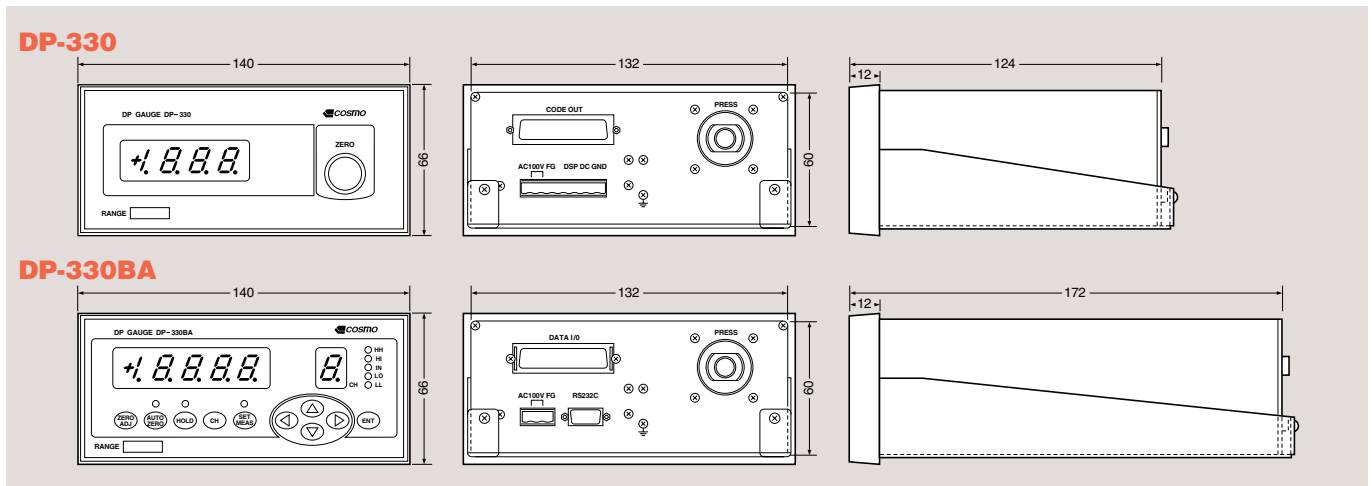
Standard Specifications for DP-330 and DP-330BA

Item	Pressure type	Differential Pressure	Gauge Pressure
Pressure range		1, 2, 5, 10, 20, 50, 100, -101 kPa	50, 100, 200, 500, -101 kPa, 1, 2, 5, 10, 20, 50 MPa
Pressure media		Air / Noncorrosive gases	Air / Noncorrosive gasses and liquid
Sensing element		Beryllium copper	Stainless steel SUS630 (SUS316 also available)
Transducer type		Inductance type	Capacitance type
Accuracy		±0.3% of F.S. ±1digit	±0.25% of F.S. ±1digit
Temperature characteristic Zero		±0.03% of F.S. /°C	
Temperature characteristic Span		±0.03% of F.S. /°C	
Allowable pressure		10 times of F.S. but up to 500 kPa	Ranges 5 MPa or lower : 2times of F.S. / Others : 1.5 time of F.S.
Maximum line pressure		2 times of the proof pressure	—
Step response		300 ms max / 99 % of F.S.	30 ms max / 99 % of F.S.
Display digits		3.5 digits (000 to ±1999)	
Sampling time		250 ms	
Analog output		0.5, 1, 2 VDC, Corresponding display (Output of DP-330BA is sensor output, and does not match with the display.)	
BCD output		Current sink open collector, Max. load current: 20 mA, Max. load voltage 55 VDC (Option for DP-330)	
Power source		AC100V±10 V 50/60Hz 0.1 A	
Ambient temperature		5~40°C	
Pressure connection port		Rc 1/8 (NPT size available)	

Optional Features

Special analog output voltage	10 VDC max. 4-20 mA also available
Special power supply voltage	110 VAC / 220 VAC (Transformer replacement)
External sensor configuration	Standard 3 m cable, Splash proof, Highly anticorrosion sensor available
Portable case	Comes with handle
Pressure & Vacuum	Available for all ranges

External Appearance



*This catalog reflects information available as of Apr 2005. Specifications are subject to change without notice.



COSMO INSTRUMENTS CO., LTD.
2974-23 Ishikawa Hachioji, Tokyo 192-0032 Japan
Phone: +81-(0)426-42-1357 Fax: +81-(0)426-46-2439

<http://www.cosmo-k.co.jp/>

Cosmo Instruments Co., Ltd. Shanghai Representative Office

19E, New Century Hotel, 257 Si Ping Rd.
Hong Kou Qu, Shanghai 200081 China Phone: +86-(0)21-6575-6880 Fax: +86-(0)21-6575-6882

Cosmo Solutions Technology Inc.

27200 Haggerty Rd. Technology Park Ste.
B-1 Farmington Hills, MI 48331 U.S.A. Phone: +1-248-488-2580 Fax: +1-248-488-2594

Cosmo Korea Co., Ltd.

3rd floor Yeohung Plaza, 1081-6
Gyesan-dong, Gyeyang-gu, Incheon Korea Phone: +82-(0)32-556-1358 Fax: +82-(0)32-556-1359

Diafriend Corp.

11 Th Fl. No.156 Fu Shin N. Rd.,
Taipei Taiwan R.O.C. Phone: +886-(0)2-27121050 Fax: +886-(0)2-27160498

G.D. Techcentre Ltd.

No.132/52 G.D. House, Bendrenagar, Subramanyapura Rd.,
Banashankari 2nd Stage Bangalore 560070 India Phone: +91-(0)80-2666-8822 Fax: +91-(0)80-2666-0783

Wave Electronics & Electrical System Sdn. Bhd.

15 Jalan Agar-Agar, Taman Petaling Indah 41200 Klang,
Selangor Darul Ehsan West Malaysia Phone: +60-(0)3-33716308 Fax: +60-(0)3-33731397

Cosmowave Technology Co., Ltd.

52/42 Moo13, Krungthep Krita Rd.
Spansung District Spansung, 10240 Bangkok Thailand Phone: +66-(0)2-7361667 Fax: +66-(0)2-7361669

Industrial Research Technology Pty. Ltd.

3A Kim Close Bulleen 3105 Victoria Australia Phone: +61-(0)3-9852-1665 Fax: +61-(0)3-9852-1765

Fletcher Moorland Ltd. (Service Representative)

Elenora St. Stoke-on-Trent Staffordshire ST4 1QG U.K. Phone: +44-(0)1782-411021 Fax: +44-(0)1782-744470