

PRODUCT INFORMATION

AIR LEAK TESTER

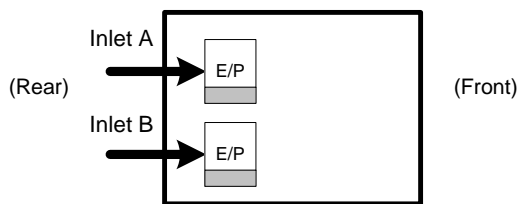


LS-R910
Designed for switching between two test pressures

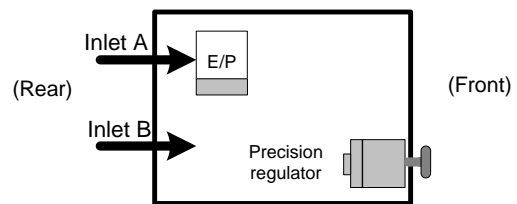
The large frame body developed with the basic specification of LS-R900 offers a feature to switch between 2 test pressures (Inlet A and Inlet B). The combination of the 2 pressures (Inlet A and Inlet B) can be selected from the Grade Table. Up to two EP regulators can be set in the leak tester.

Examples of the combination of 2 test pressure circuits

< EP regulator x 2 >



< EP regulator and Precision regulator >



* E/P: Electropneumatic regulator

Test pressure combinations

* Symbols for E/P regulator
MR: Medium pressure E/P
LR: Low pressure E/P
VR: Vacuum pressure E/P

• Applicable		Inlet A								
		MR	LR	VR	M	L	L02	V	H20	H49
Inlet B	MR					•			•	•
	LR	•			•	•			•	•
	VR	•	•		•	•	•		•	•
	M		•	•		•	•	•	•	•
	L	•		•	•		•	•	•	•
	L02	•			•			•	•	•
	V	•	•		•	•	•		•	•

* Two Pressure Sensors with the same grade as the higher one between Inlet A and Inlet B are provided.

Model Classifications

LS-R910-(1)(2)(3)(4)(5)

(1)	Pneumatic circuit	A1: Intelligent 1 Pneumatic Circuit, A2: Intelligent 2 Pneumatic Circuit AS1: Small Volume A1 Circuit, AS01: Micro Volume Circuit, C: Secondary Pressure Circuit
(2)	Pressure range (Inlet A)	EP Regulator Model
		Regulator Model
(3)	Pressure range (Inlet B)	EP Regulator Model
		Regulator Model
(4)	Option	J: Leak Master K05: With ALC-05 (0.5mL), K1: With ALC-1 (1mL) K4: With ALC-4 (4mL), K10: With ALC-10 (10mL)
		B: Bypass Circuit (without Precision Regulator), B1: Bypass Circuit Ready (with Precision Regulator) *2
		D: Differential pressure sensor range: ±10kPa
(5)	Power cable	VA: Attached for AC125V, 3 m VE: Attached for AC250V, 2 m

*1: The Regulator is not attached for H20 and H49.

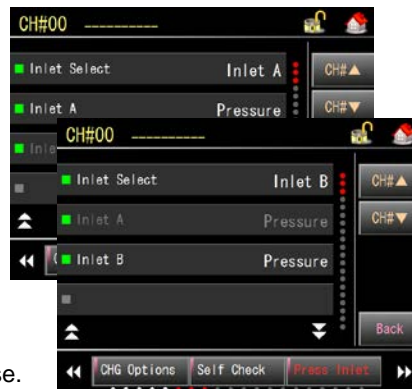
*2: B and B1 are available only for Inlet B.

Features << Screens specific to R-910 >>

< Measurement screen (Advanced) >



< Inlet selecting displays >



< Charge-Hold display >



* The display language can be switched between English, Japanese, and Chinese.



Parts to be tested (Works) are pressurized

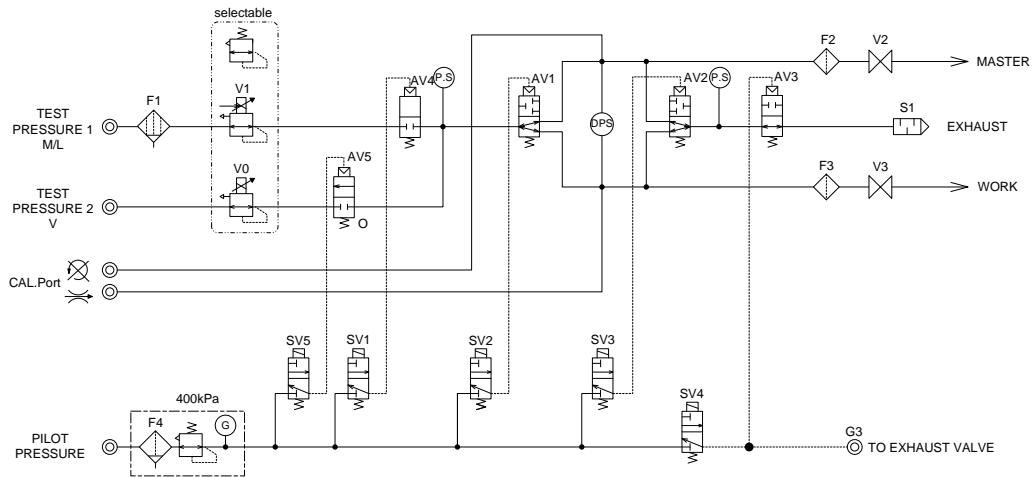


Parts to be tested (Works) are not pressurized.

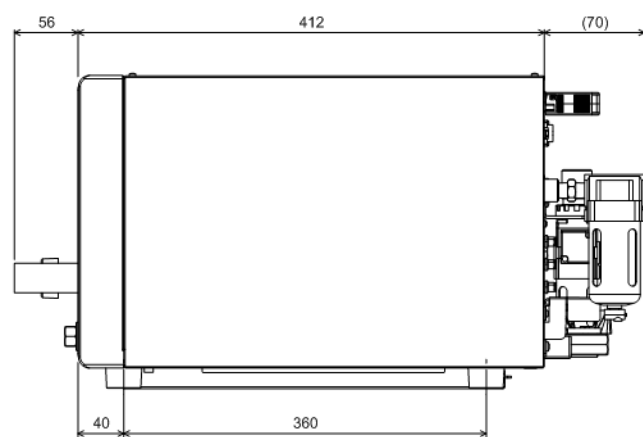
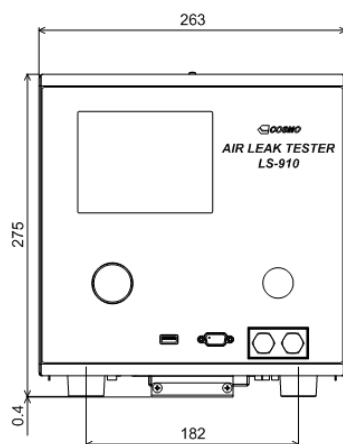
* Even without closing the stop valves, the test pressure can be regulated.

Pneumatic Circuit

< Intelligent 2 (A2) Pneumatic Circuit (Medium (M) / Low (L), Vacuum (V)) >



External Appearance



* The contents of this Product Information are as of December 2015. The information is subject to change without prior notice.

COSMO INSTRUMENTS CO., LTD.
2974-23 Ishikawa Hachioji, Toyo Japan
Phone: +81-(0)42-642-1357 Fax: +81-(0)42-646-2439
<http://www.cosmo-k.co.jp/>

China
Korea
Taiwan
Malaysia
Thailand

Indonesia
Vietnam
India
Germany
U.K.

U.S.A.
Mexico
Brazil
Australia